

Auto Prep

Summary

The Auto Prep series are a workstation of solutions that are used to study on biologicals and mass production process. The system is a flexible and production-oriented chromatography platform, and it can provide various configurations. The system can use various feedback condition such as flow rate, pH, conductivity feedback, respectively. Moreover, it has a compact design that is one of the smallest in the same industry. In addition, it enables easy operation with touch panel interface at the top of the equipment. It can operate the components in manual operation of the touch panel. Furthermore it can also automatic operation with creates a sequential program by the control software. This software is compatible to the FDA 21CFR part 11.



Fig.1 Auto Prep 100D

Overview

The Auto Prep system includes the following configuration:

Pumps Quatroflow quaternary diaphragm pumps, Pneumatic diaphragm valve, Electromagnetic flowmeter, UV detector, pH meter, conductivity meter, thermometer, pressure gauge, air sensor, bubble trap.

The range of the Auto Prep is equipping single or dual pump, flow rate of 0.02-1LPM, 0.1-3LPM, 0.3-10LPM and 1-20LPM.

Wetted material is electrolytic polished stainless steel 316L, glass and FDA CFR21 Part177 certificated plastic PP, EPDM, PEEK.

Table 1 Range of Auto Prep series

	Auto Prep10	Auto Prep30	Auto Prep100	Auto Prep200
Flow rate	20—1,000 mL/min	0.10 - 3 L/min	0.26 - 10 L/min	1 - 20 L/min
Inlet / outlet	4mm	6mm	10mm	15mm
UV, pH, Conductivity	280nm, pH0-14(or 2 - 10), 0-200mS/cm (or 0-1,000S/cm)			
Max. Pressure	6bar			
Size WxDxH	1,200 x 700 x 1120 mm			
weight	230kg	235kg	240kg	250kg

Typical PID of Auto Prep dual pump type.

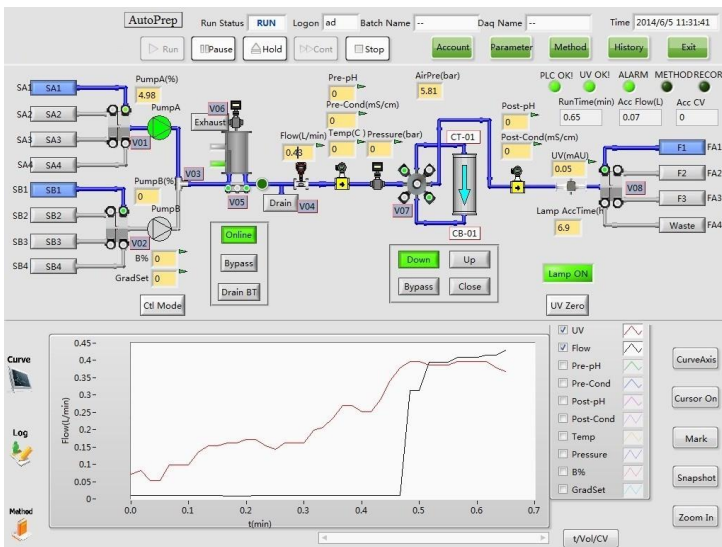
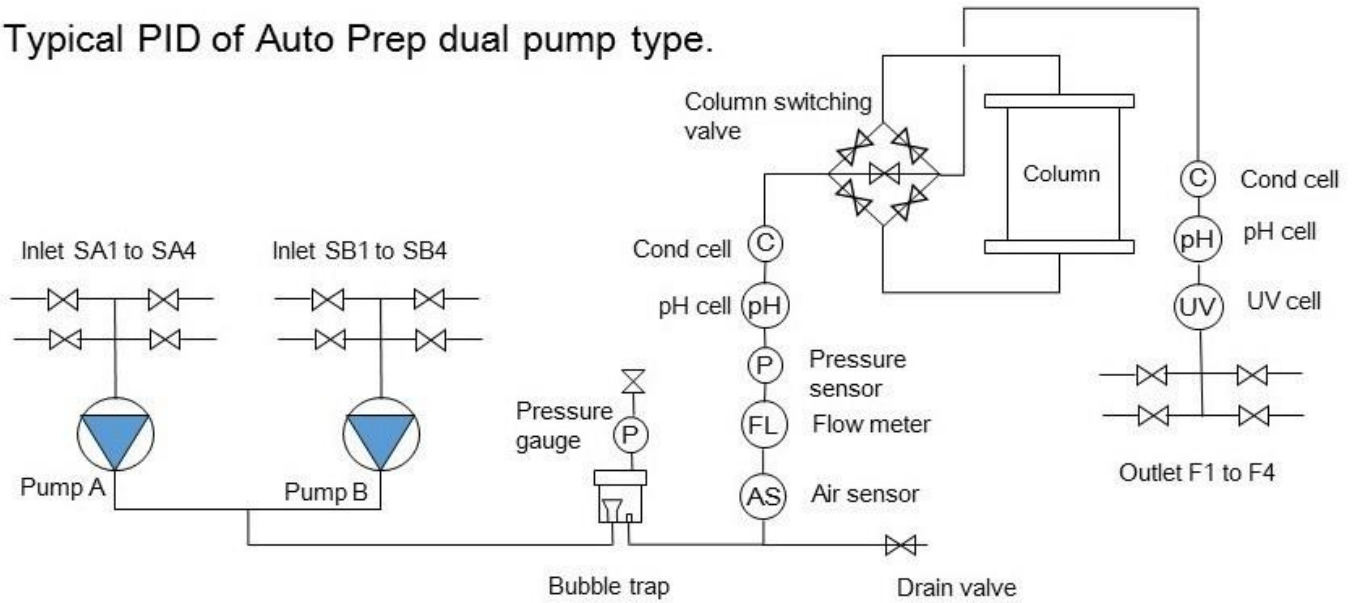


Fig.2 Auto Prep of the touch panel screen

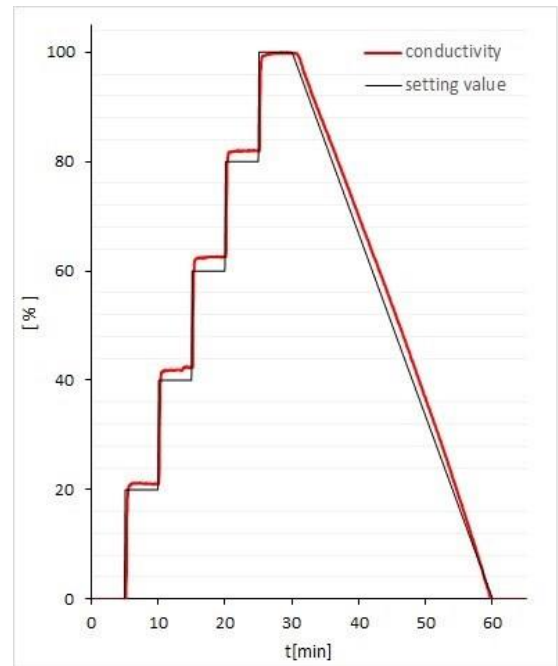


Fig.3 Chromatograms from Auto Prep showing the setting value and detecting value.

Features

Auto Prep have a flexible configuration, and it can easily to customized to meet user requirement. The PID of Auto Prep have very compact structure and very small dead volume. Auto Prep consist many sensors which can be measuring to almost of chromatography of Biologicals.

The operator can carry out purification by a simple operation of the touch panel. Various gradient modes can be creating with a software program. The automatic calculation of HETP and as to evaluate the packing status of the packed Column is also possible.

Ordering information

Auto Prep series

Name	flow rate L/min	Pump No.	Coad No.
Auto Prep 10S	0.02 - 1	1	AP 10S
Auto Prep 10D	0.02 - 1	2	AP 10D
Auto Prep 30S	0.10 - 3	1	AP 30S
Auto Prep 30D	0.10 - 3	2	AP 30D
Auto Prep100S	0.26 - 10	1	AP 100S
Auto Prep 100D	0.26 - 10	2	AP 100D
Auto Prep 200S	1 - 20	1	AP 200S
Auto Prep 200D	1 - 20	2	AP 200D

Auto Column consumable parts

Parts Name	Description	Qty/pc	Parts Code No.
Optical fiber	UV detector	1	SMA905 sheath
UV deuterium lamp	UV detector	1	Qingbohua
Pump diaphragm	System Pump diaphragm membrane	1	QF-1200S
pH electrode	pH Cell	1	INPRO3250/120/PT1000

* Other parts, please queries to the local agent or JNC. Accessory

Name	Qty / pc	Code No.
Tube with sanitary fitting (2m, I.D. 6.4mm)	1	T6SF
Tube with sanitary fitting (2m, I.D. 9.5mm)	1	T10SF
Clamp 25mm	10	CLA25-10
Gasket 25mm	50	GAS25-50
4 port / 4-way valve 6mm	1	4P4W-V6

For more information, please contact your local agent.

JNC Corporation Life Chemicals Launch Office

2_1, Otemachi 2_Chome, Chiyoda_ku, Tokyo 1000_8105

Japan



M R SANGHAVI & CO

BLDG 2 Ansari Rd Vile Parle((W)

Mumabai 400 056

Tel +91 -250-2390409 ; Fax +91 -250-2390112

Email: Sanghavi.rajiv@gmail.com



Manufacture; GEN BIO SYSTEM (CHANGSHA) CO., LTD.